

Safety First

The Electro-Voice® PX1122M, PX1152M, PX2122, and PX2152 have threaded points that can be used for suspension. Please consult the user instructions that are supplied with the suspension kits for proper use prior to installation.



WARNING: Suspending any object is potentially dangerous and should only be attempted by individuals who have a thorough knowledge of the techniques and regulations of rigging objects overhead. Electro-Voice® strongly recommends that all speakers be suspended taking into account all current national, federal, state and local regulations. It is the responsibility of the installer to ensure that all speakers are safely installed in accordance with all such regulations. If Phoenix speakers are suspended, Electro-Voice® strongly recommends that the system be inspected at least once a year. If any sign of weakness or damage is detected, remedial action should be taken immediately. Any hardware used to suspend a Phoenix speaker that is not associated with Electro-Voice® is the responsibility of others.

Ground Stack:

When using multiple Electro-Voice® Phoenix speakers in a ground stack configuration, the feet of each enclosure is designed to fit into grooves of the enclosure below it. This is both for the safety of the ground stack and serves as an alignment for properly arraying multiple loudspeakers. Always check that the feet are resting in the grooves when using multiple speakers (Figure 1). Unless you can safely lift the weight of the loudspeaker on to the ground stack, have another person to help you place it. The ground stack should be placed on a solid, level surface. When using subs on a surface that is hard or slick, use a piece of carpet or other material between the feet and supporting surface to prevent the subs (and stacks) from “walking”. When using a ground stack in windy outdoor conditions, when the surface is slippery, or when in adverse conditions, Electro-Voice® recommends using a ratchet strap to secure the speakers. For a complete list of the configurations possible with an Electro-Voice® Phoenix system, please consult the Application Guide at www.electrovoice.com.

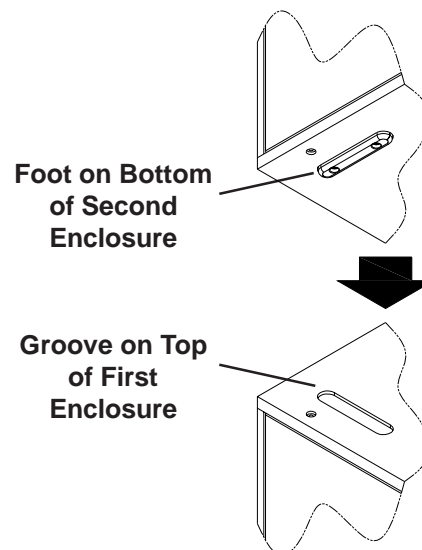


Figure 1: *Groundstacking Configuration*

Stand Mount:

The Electro-Voice® PX1122M and PX1152M include 1-3/8" stand mounts for use with tripod stands. Check the specifications of the speaker stand to be certain it is capable of supporting the weight of the speaker. Place the speaker stand on a flat, stable surface and be sure to fully extend the legs of the stand. Do not try to make the stand “taller” and compromise its structural integrity. Do not attempt to suspend more than one speaker on a stand designed for a single speaker. Unless you are confident that you can safely handle lifting the weight of the speaker onto the stand, ask another person to help you place it. Route cables and position the stand so that performers, production crew and audience members will not trip over the stand or cables and pull the speaker system over. Secure the cables with wire ties or tape whenever possible.

Moisture:

Electro-Voice® does not recommend using Phoenix loudspeakers in the rain or in high moisture environments without protection.

Hearing Exposure:

Electro-Voice® Phoenix loudspeakers are capable of producing sound pressure levels sufficient to produce permanent hearing damage. Caution should be taken to avoid prolonged exposure to sound pressure levels exceeding 90 dB.

Processor Settings:

Processor settings for Phoenix loudspeaker configurations are available for Electro-Voice® speaker processors. Please consult the Application Guide at www.electrovoice.com for more information.

Rotating the Horn:

The PX2122 and PX2152 loudspeakers have horns that can be rotated to change the coverage pattern. The coverage pattern angles are molded on the horn flange.

1. Remove the (6) screws that attach the grille to the enclosure (Figure 2).
2. Remove the (12) screws that attach the horn to the enclosure, and disconnect the wires that attach the ND2 to the input panel (Figure 3). The jumper that is between both ND2's can remain connected.
3. Remove the (4) nuts and bolts that connect the manifold to the horn. Rotate the horn 90° so the desired vertical coverage pattern is parallel to the ND2's and manifold, then reattach the manifold using the (4) nuts and bolts (Figure 4).
4. Reconnect the wires that attach the ND2 to the input panel (reverse of Figure 3). The yellow wire corresponds to the positive terminal, and the yellow and black wire corresponds to the negative terminal. Reattach the horn to the enclosure using the (12) screws.
5. Reattach the grille using the (6) screws (reverse of Figure 2).

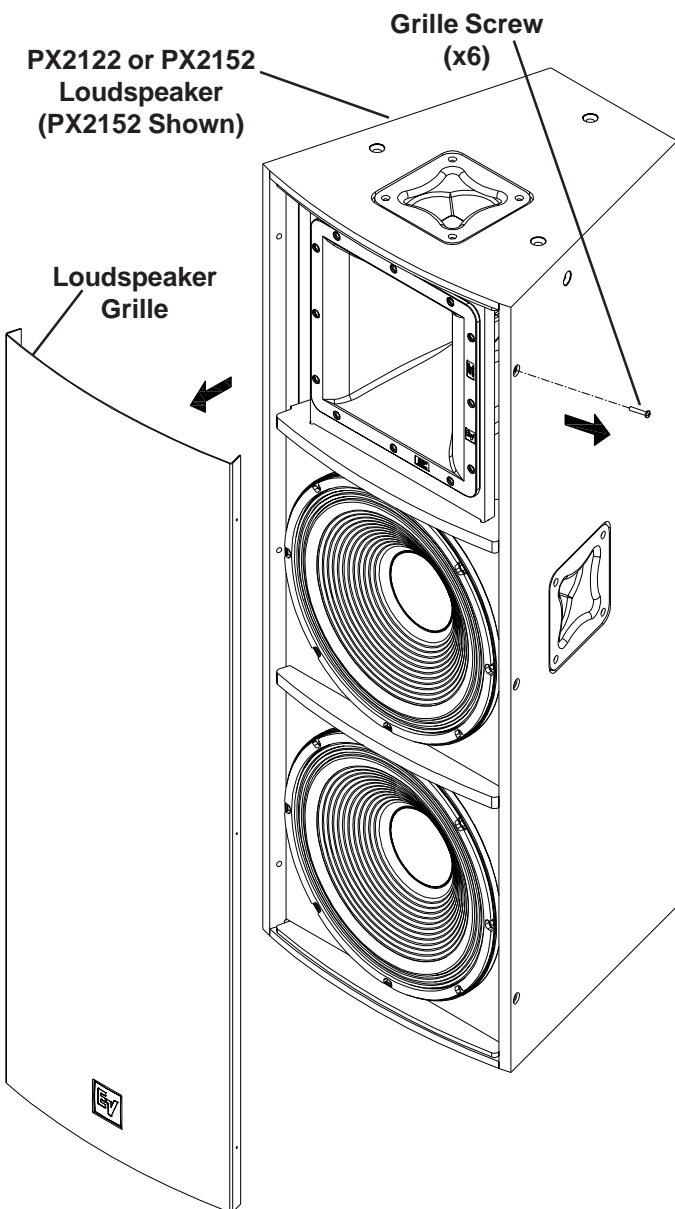


Figure 2:

Removing the Grille from the Enclosure

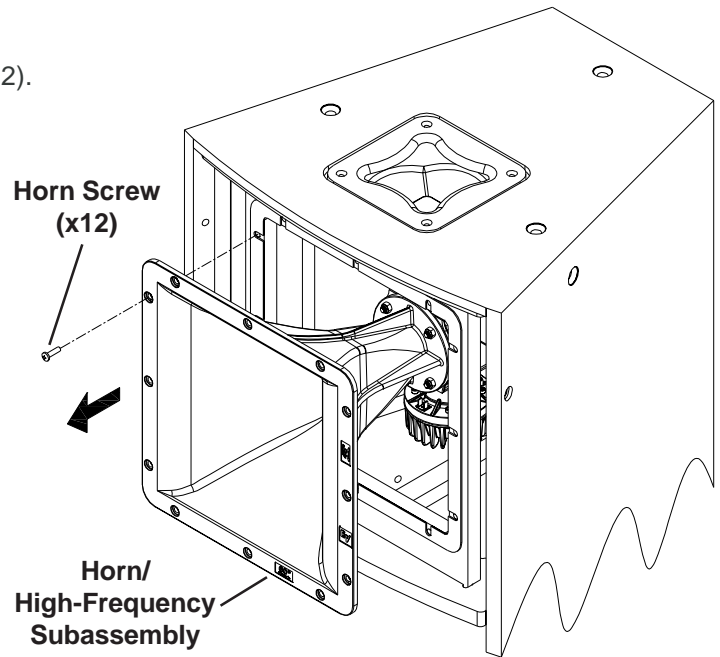


Figure 3:

Removing the Horn from the Enclosure

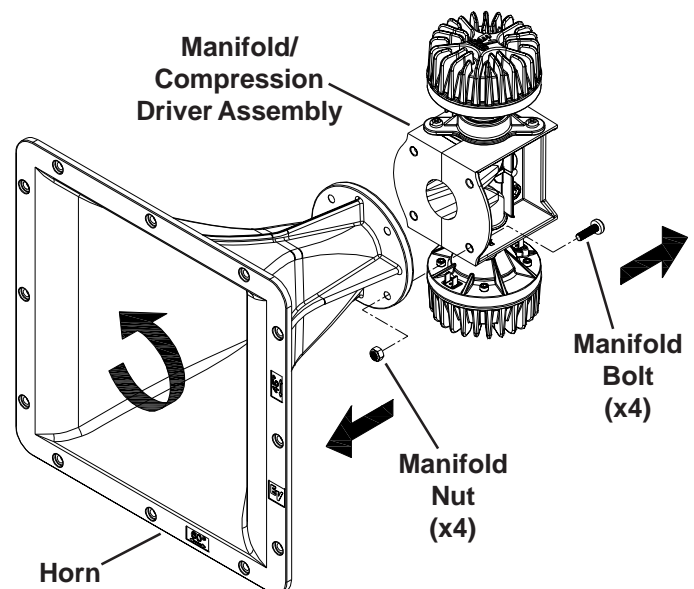


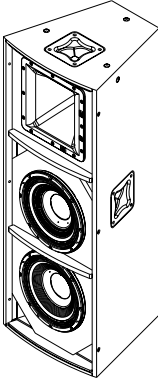
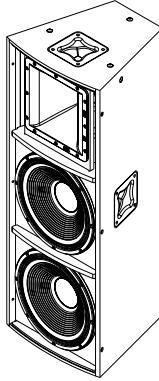
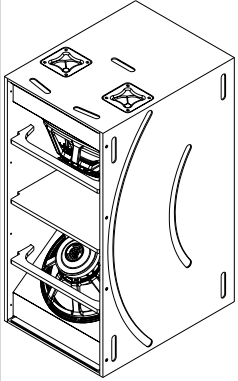


Figure 4:

Detaching the Manifold Assy from the Horn

Technical Specifications:

	PX1122M	PX1152M	PX2122	PX2152	PX2181
					
Freq. Response ¹ (-3 dB):	70 Hz - 15 kHz	TBA	90 Hz - 11 kHz	60 Hz - 11 kHz	45 Hz - 160 Hz
Freq. Range ¹ (-10 dB):	55 Hz - 19 kHz	TBA	70 Hz - 18 kHz	50 Hz - 18 kHz	40 Hz - 180 Hz
Rec. Hipass Frequency:	50 Hz	TBA	80 Hz	40 Hz	35 Hz
Axial Sensitivity ¹ :	98 dB (1W/1m)	TBA	102 dB (1W/1m)	101 dB (1W/1m)	105 dB (1W/1m)
Max Calculated SPL ¹ :	132 dB	TBA	138 dB		141 dB
Horizontal Coverage:	90°		30°, or 45°	60°, or 45°	Omnidirectional
Vertical Coverage:	45°		45°, or 30°	45°, or 60°	Omnidirectional
Power Handling (Passive):	600W Continuous, 2400W Peak		N/A	1200W Continuous, 4800W Peak	N/A
LF Power Handling (Biamp):	500W Continuous, 2000W Peak		1000W Continuous, 4000W Peak		
HF Power Handling (Biamp):	80W Continuous, 320W Peak				N/A
LF Transducer:	(1) DVX3121, 12 in. (305 mm) Driver	TBA	(2) DVX3121, 12 in. (305 mm) Driver	(2) DVX3150, 15 in. (381 mm) Driver	(2) DVX3180, 18 in. (457 mm) Driver
HF Transducers:	(2) ND2-16, 2 in. (50mm) Diaphragm Compression Drivers				
Crossover Frequency:	1400 Hz	TBA	1600 Hz	1900Hz	80 Hz - 125 Hz
Impedance (Passive):	8 Ohms Nominal		N/A	4 Ohms Nominal	N/A
LF Impedance (Biamp):	8 Ohms Nominal		4 Ohms Nominal		
HF Impedance (Biamp):	8 Ohms Nominal				N/A
Connectors:	(3) Neutrik Speakon NL4's		(2) Neutrik Speakon NL4's		
Enclosure Material:	18mm Plywood with Black EVCoat™				
Suspension:	Rigging Point for PX-SAM Strong-Arm Accessory		(8) M10 Points - (6) on Top and (2) on Bottom of Enclosure		N/A
Grille:	Polyester Powder Coated, 16GA Galvanized Steel, with Rotatable Logo				
Dim (H x W x D):	546mm x 366mm x 305mm (21.50" x 14.42" x 12.04")	TBA	1219mm x 457mm x 445mm (48.00" x 18.00" x 17.50")		1219mm x 569mm x 758mm (48.00" x 22.42" x 29.85")
Net Weight:	23.1 kg (51 lbs)	TBA	50.9 kg (112 lbs)	45.6 kg (100.5 lbs)	88.5 kg (195 lbs)
Shipping Weight:	25.2 kg (56 lbs)	TBA	53.1 kg (117 lbs)	47.9 kg (105.5 lbs)	90.7 kg (200 lbs)
Recommended Amplifier:	Electro-Voice® CP3000S		Electro-Voice® CP4000S		
Accessories:	PX-SAM Strong-Arm Kit		PX-D1 Dolly Kit PX-G1 Phoenix Grid EBK-M10 Eyebolt Kit		PX-D2 Dolly Kit

¹ Half Space measurement.

EV Electro-Voice®

12000 Portland Avenue South, Burnsville, MN 55337
Phone: 952/884-4051, Fax: 952/884-0043

www.electrovoice.com

© Telex Communications, Inc. 6/2006

Part Number 38110-533 Rev 2

U.S.A. and Canada only. For customer orders, contact the Customer Service department at **800/392-3497 Fax: 800/955-6831**
Europe, Africa and Middle East only. For customer orders, contact the Customer Service department at **49 9421-706 0 Fax: 49 9421-706 265**
For warranty information, contact the Service Repair department at: **616/695-6831 or 800/685-2606**
For technical assistance, contact Technical Support at: **866/78AUDIO**
Specifications subject to change without notice.